

D C B A

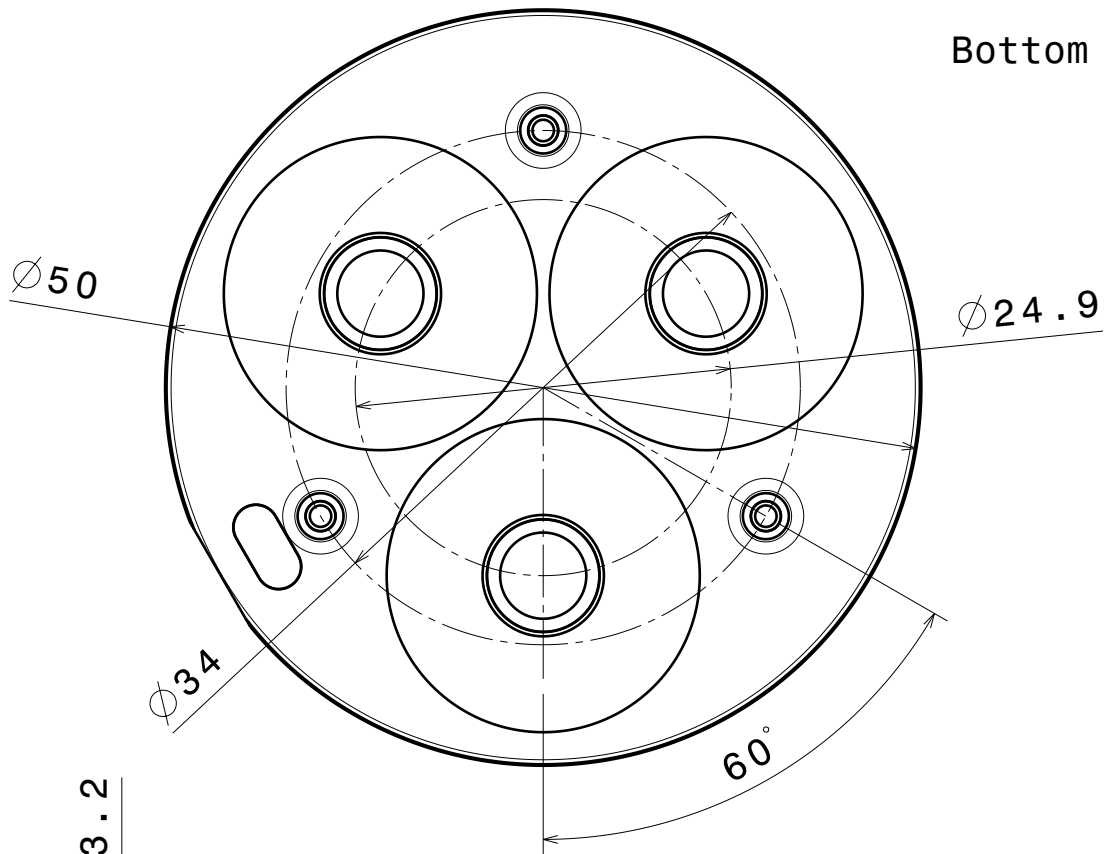
4

3

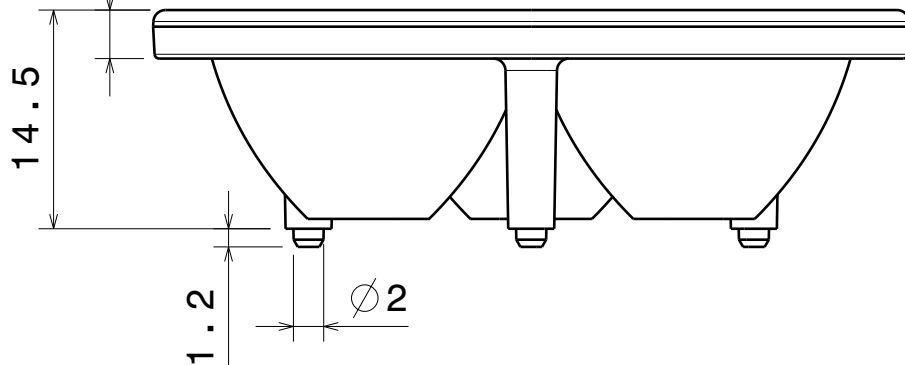
2

1

Bottom view



Front view



Material:
Lens PMMA

Part no.s:
C11191_Tuija-3-W
C11192_Tuija-3-SS
C11193_Tuija-3-M

Tolerances:
Dimensions less < 20mm +/-0.1mm
Dimensions between (21-45)mm +/-0.2mm
Dimensions between (46-90)mm +/-0.3mm

This drawing is our property.
It can't be reproduced
or communicated without
our written agreement.



L
T
F
F

e
e
i
i
N
n

d

DRAWING TITLE

Datasheet Tuija-3 lens

DRAWN BY

DATE

12.10.2009

CHECKED BY

DATE

09.10.2009

DESIGNED BY

HH

DATE

29.05.2007

SIZE

A4

DRAWING NUMBER

C11191-193

REV

1

SCALE

2:1

WEIGHT (g)

SHEET

1/1

D

A

4

3

2

1