

D

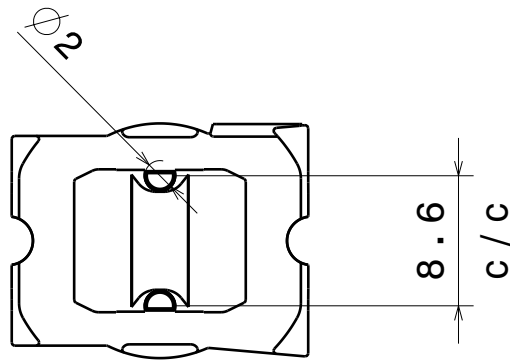
C

B

A

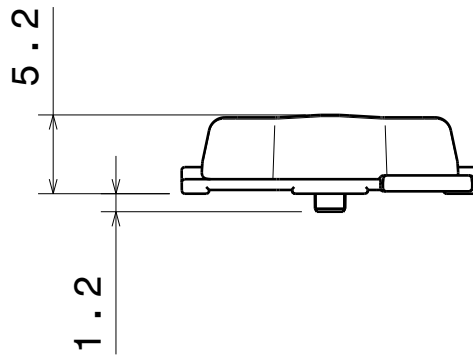
4

4



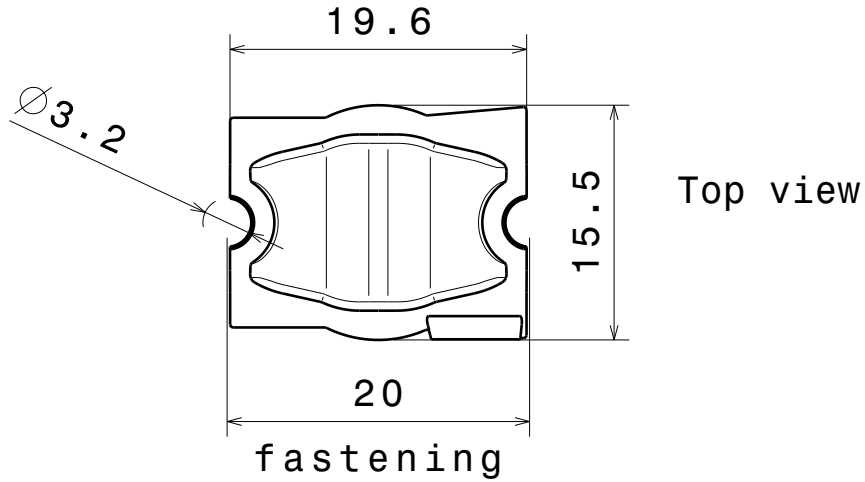
3

3



2

2



MATERIALS
 Lens: PMMA

This drawing is our property.
 It can't be reproduced
 or communicated without
 our written agreement.



L
T
F
F

e
e
i
i
n
n

d

h

DRAWING TITLE

Datasheet Strada-B2-XP lens

DRAWN BY

DATE

p

13.08.2009

CHECKED BY

DATE

t k

12.06.2009

SIZE

DRAWING NUMBER

REV

A4

C10949

1

DESIGNED BY

DATE

hh

12.06.2009

SCALE

2:1

WEIGHT (g)

SHEET

1/1

D

A

1

1