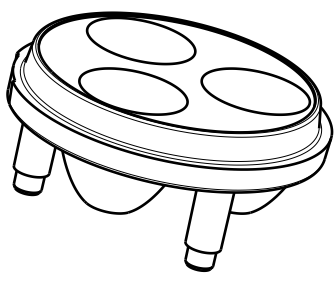
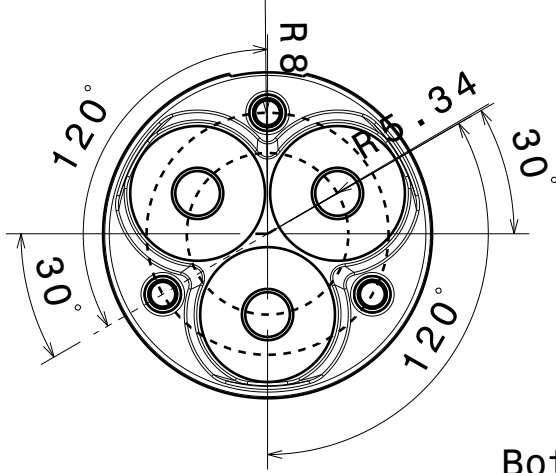


D C B A

4

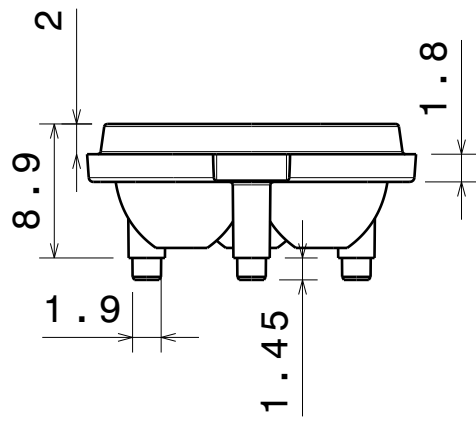


Isometric view



Bottom view

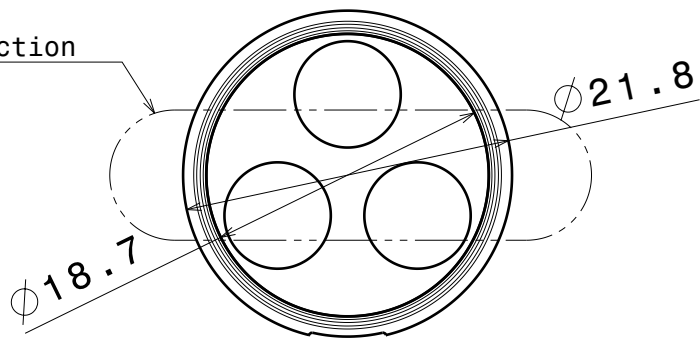
3



Front view

2

Oval beam direction



Top view

Material: PMMA

This drawing is our property. It can't be reproduced or communicated without our written agreement.



L T F F e e i n

DRAWING TITLE

Datasheet Satu Lens

DRAWN BY o	DATE 31.05.2010
CHECKED BY p	DATE 31.05.2010
DESIGNED BY hh/ol	DATE 31.05.2010

SIZE A4	DRAWING NUMBER	REV 1
SCALE 2:1	WEIGHT (g)	SHEET 1/1

1

1

D A