

D

C

B

A

4

4

3

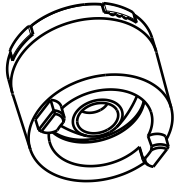
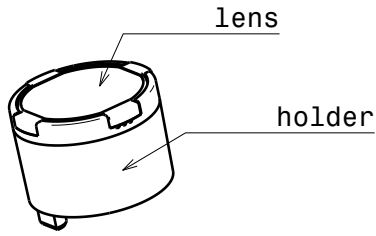
3

2

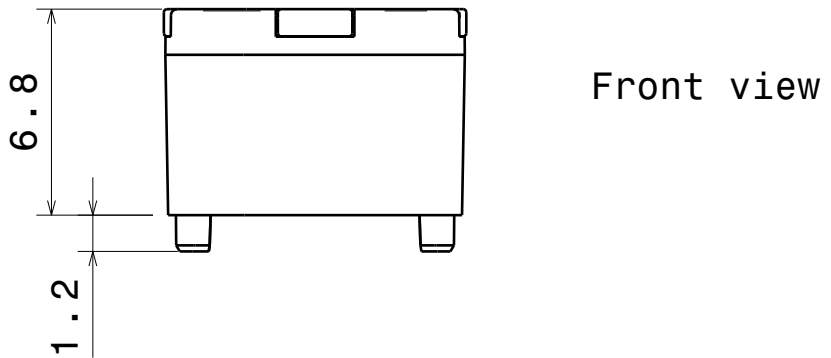
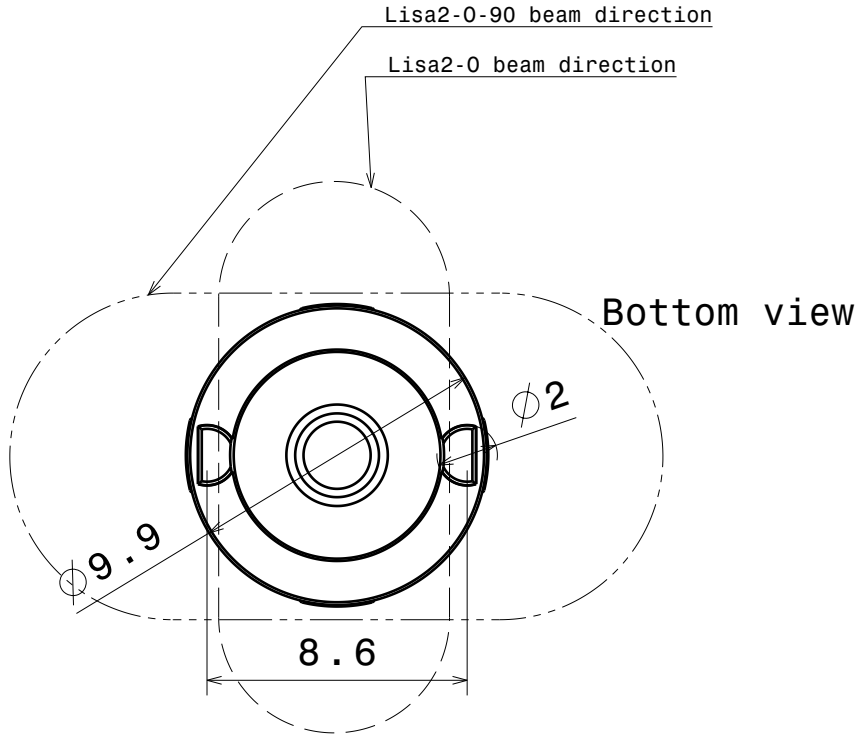
2

1

1



Isometric view  
Scale: 2:1



Materials:  
Lens PMMA  
Holder PC

Part no.s:  
FA10995\_Lisa2-M-Pin-XP  
FA10996\_Lisa2-W-Pin-XP  
FA11055\_Lisa2-RS-Pin-XP  
FA11125\_Lisa2-0-Pin-XP  
FA11851\_Lisa2-0-90-Pin-XP

This drawing is our property.  
It can't be reproduced  
or communicated without  
our written agreement.



L  
T  
F  
F

e  
e  
i  
i

N  
n

DRAWING TITLE

Datasheet Lisa2-Pin-XP Series Assy

DRAWN BY

DATE

p

02.11.2010

CHECKED BY

DATE

s

n

02.11.2010

DESIGNED BY

DATE

hh

19.10.2009

SIZE

A4

DRAWING NUMBER

SCALE

4:1

WEIGHT (g)

REV

1

SHEET

1/1

D

A