

D

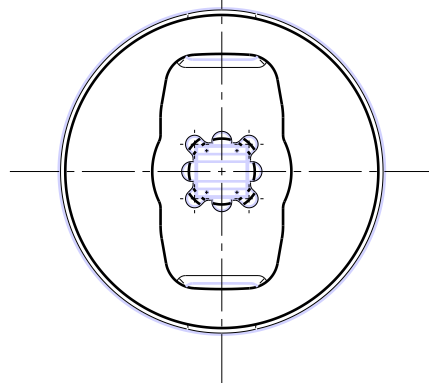
C

B

A

4

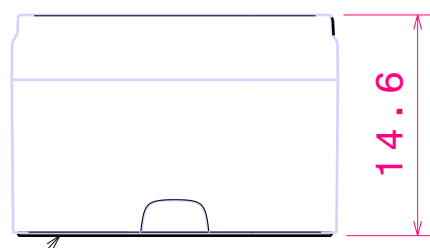
4



Bottom view

3

3

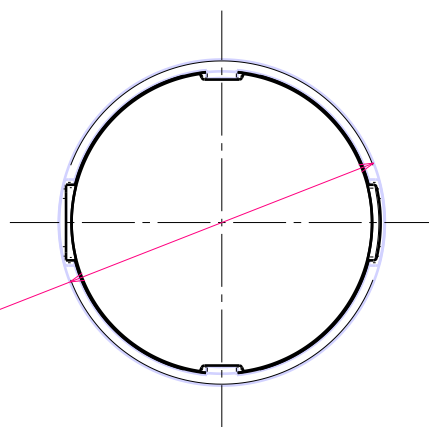


Side view

Tape 0,2mm

2

2



Top view

Ø 21.6

MATERIALS
 Lens: PMMA
 Holder: PC
 Tape: PU Foam

This drawing is our property.
 It can't be reproduced
 or communicated without
 our written agreement.



DRAWING TITLE

Datasheet LZ5-Series assy

DRAWN BY p	DATE 15.02.2010
---------------	--------------------

CHECKED BY t k	DATE 23.11.2009
-------------------	--------------------

SIZE A4	DRAWING NUMBER	REV 2
------------	----------------	----------

DESIGNED BY HH	DATE 23.11.2009
-------------------	--------------------

SCALE 2:1	WEIGHT (g) -	SHEET 1/1
--------------	-----------------	--------------

D

A

1

1