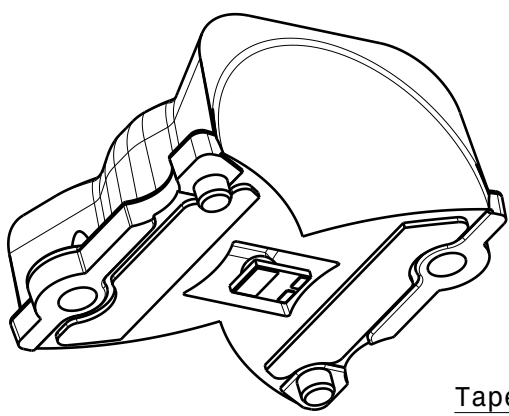
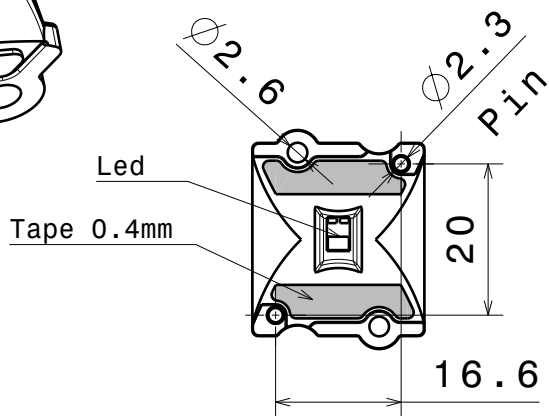


D C B A

4

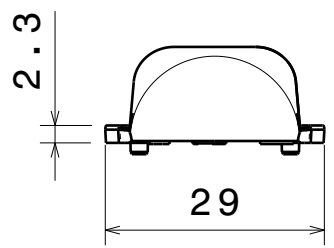


Isometric view
2:1

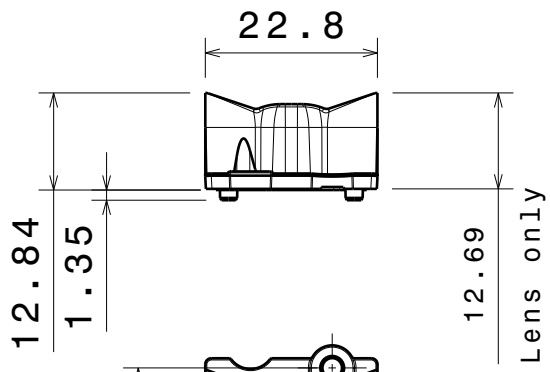


Bottom view

3

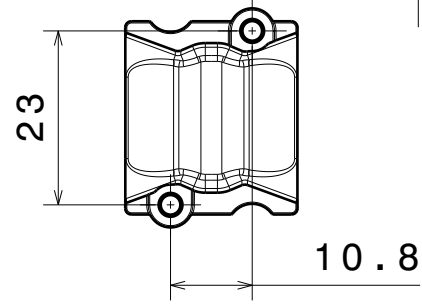


Right view



Front view

2



Top view

- Part no.s:
 CA10932_Flare-B-RE-tape
 CA10932_Flare-B-XP-tape
 CA10932_Flare-B-DD-tape
 CA10932_Flare-B-XP-G-tape
 CA10932_Flare-B-N19-tape
 CA10932_Flare-B-OSL-tape
 CA10932_Flare-B-Z5-tape
 CA10932_Flare-B-N19-tape

- Part no. without tape fastening:
 C10946_Flare-B-RE
 C10946_Flare-B-XP
 C10946_Flare-B-XP-G
 C10946_Flare-B-DD
 C10946_Flare-B-N19
 C10946_Flare-B-OSL
 C10946_Flare-B-Z5
 C10946_Flare-B-N19

MATERIALS
 Lens: PMMA
 Tape: PU Foam

4

3

2

This drawing is our property.
 It can't be reproduced
 or communicated without
 our written agreement.



L T F F e e i n

DRAWING TITLE

Datasheet Flare-B-series

DRAWN BY
p

DATE
09.09.2009

CHECKED BY
t k

DATE
04.06.2009

SIZE
A4

DRAWING NUMBER
-

REV
1

DESIGNED BY
hh

DATE
02.06.2009

SCALE 1:1

WEIGHT (g)

SHEET 1/1

1

1

D

A